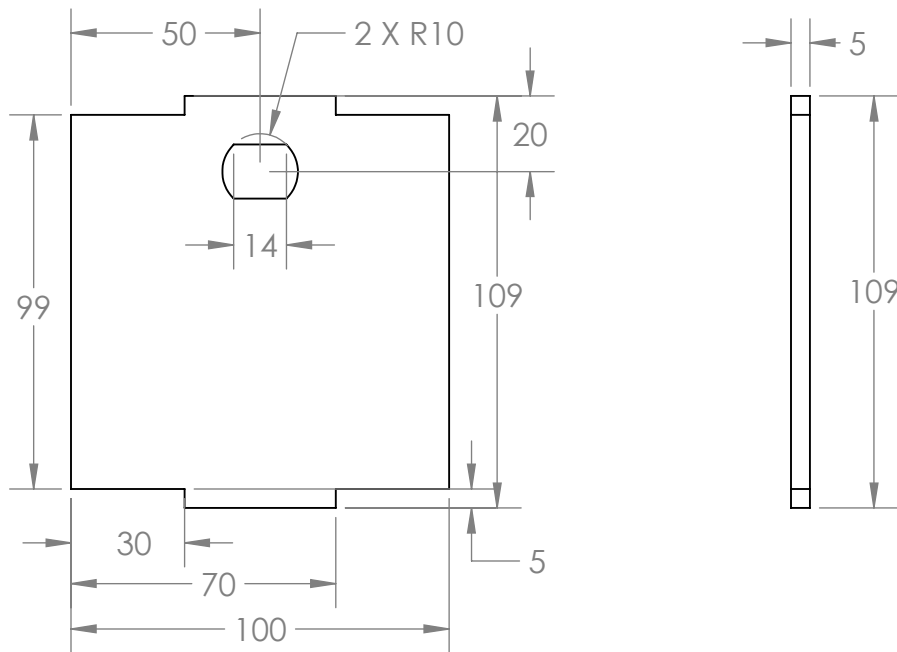


2

1

B

B



A

A

**PROPRIETARY AND CONFIDENTIAL**  
 THE INFORMATION CONTAINED IN THIS DRAWING IS THE SOLE PROPERTY OF <INSERT COMPANY NAME HERE>. ANY REPRODUCTION IN PART OR AS A WHOLE WITHOUT THE WRITTEN PERMISSION OF <INSERT COMPANY NAME HERE> IS PROHIBITED.

|             |         |                                      |           |      |      |
|-------------|---------|--------------------------------------|-----------|------|------|
|             |         | UNLESS OTHERWISE SPECIFIED:          |           | NAME | DATE |
|             |         | DIMENSIONS ARE IN INCHES             | DRAWN     |      |      |
|             |         | TOLERANCES:                          | CHECKED   |      |      |
|             |         | FRACTIONAL ±                         | ENG APPR. |      |      |
|             |         | ANGULAR: MACH ± BEND ±               | MFG APPR. |      |      |
|             |         | TWO PLACE DECIMAL ±                  | Q.A.      |      |      |
|             |         | THREE PLACE DECIMAL ±                | COMMENTS: |      |      |
|             |         | INTERPRET GEOMETRIC TOLERANCING PER: |           |      |      |
|             |         | MATERIAL                             |           |      |      |
|             |         | FINISH                               |           |      |      |
| NEXT ASSY   | USED ON |                                      |           |      |      |
| APPLICATION |         | DO NOT SCALE DRAWING                 |           |      |      |

|                     |          |              |
|---------------------|----------|--------------|
| TITLE:              |          |              |
| SIZE                | DWG. NO. | REV          |
| <b>A motorplate</b> |          |              |
| SCALE: 1:2          | WEIGHT:  | SHEET 1 OF 1 |

2

1